

TMF

Electromagnetic Flowmeter

TMF는 플랜지 타입의 전자식 유량계로서 전도성 액체의 유량을 측정하는데 적합하며 전자장 센서에서 측정된 유량값을 순시값으로 환산하여 표시하고, 원격감시 및 제어 시스템에서 동일한 측정값을 Analog 신호 및 통신 방식으로 신호를 전송합니다.



Features

- ▶ 이물질 및 부식성 유체에도 적용 가능
- ▶ Wide Operating Range
- ▶ HART 혹은 RS-485 Modbus 통신 가능
- ▶ 다양한 사이즈 적용 가능

Specifications

- ▶ Pipe Size : DN10 – 1000mm
- ▶ Velocity Range : 0.1 – 15 m/s
- ▶ Accuracy : $\pm 0.5\%$ of FS
- ▶ Process Connection : Flange (JIS, ANSI, DIN 선택가능)
- ▶ Max. Pressure : Up to 40 kgf/cm²
- ▶ Temperature : -20 to 160°C
- ▶ Ambient Temperature : -25 to 60°C
- ▶ Explosion Proof : Exd IIC T5 (IP 67 or IP 68)
- ▶ Mat'l Body & Flange : Carbon Steel (Galvanized or Coating) or Stainless Steel
- ▶ Mat'l Electrode : SUS 316, Hastelloy C
- ▶ Mat'l Liner : Teflon, PFA, F46, Neoprene, Polyurethan
- ▶ Power Supply : 24VDC
- ▶ Communication : RS-485 Modbus RTU or HART
- ▶ Output : 4-20mADC, Pulse
- ▶ LCD Display : Flow Rate & Totalizer

Model Selection Guide

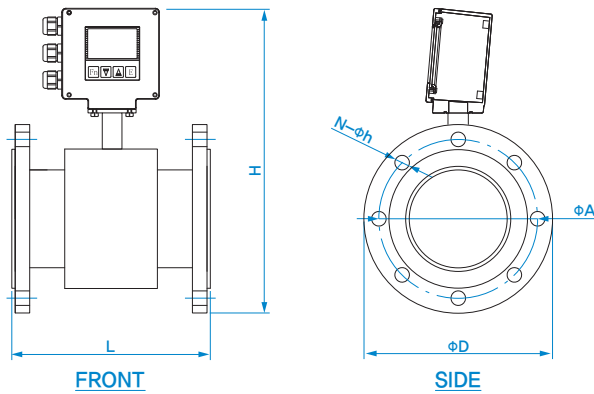
TMF -	XXXX	X	X	-X	X	X	Description
Size	10-1000						10-1000mm
Max. Pressure		1					10kgf/cm ²
		2					16kgf/cm ²
		3					40kgf/cm ²
Liner Material		1					PTFE
		2					PFA
		3					F46
		4					Neoprene
		5					Polyurethane
Electrode Material				S			Stainless Steel
				H			Hastelloy C
Output					-A		4-20mA
					-C		RS-485 Modbus RTU Communication
Installation						N	Integral X-MTR
						R	Remote X-MTR

Electromagnetic Flowmeter

Rate-Flow comparison

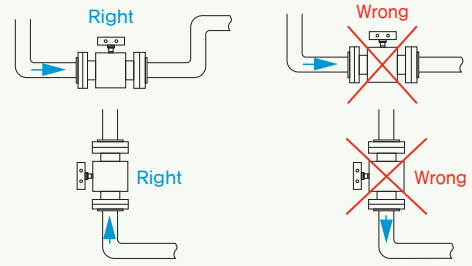
$\frac{m^3/h}{mm}$ / $\frac{m/s}{mm}$	0.5	1	2	3	4	5	15(Max.)
15	0.3481	0.6362	1.2723	1.9085	2.5447	3.1809	9.5426
20	0.5655	1.1310	2.2619	3.3929	4.5239	5.6549	16.9646
25	0.8836	1.7671	3.5343	5.3014	7.0686	8.8357	26.5072
32	1.4476	2.8953	5.7906	8.6859	11.5812	14.4765	43.4294
40	2.2619	4.5239	9.0478	13.5717	18.0956	22.6195	67.8584
50	3.5343	7.0686	14.1372	21.2058	28.2743	35.3429	106.0288
65	5.9730	11.9459	23.8918	35.8377	47.7836	59.7295	179.1886
80	9.0478	18.0956	36.1911	54.2867	72.3823	92.4779	271.4336
100	14.1372	28.2743	56.5487	84.8230	113.0973	141.3717	424.1150
125	22.0893	44.1786	88.3573	132.5359	176.7146	220.8932	662.6797
150	31.8086	63.6173	127.2345	190.8518	254.4690	318.0863	954.2588
200	56.5787	113.0973	226.1947	339.2920	452.3893	565.4867	1696.4600
250	88.3573	176.7146	353.4292	530.1438	706.8583	833.5729	2650.7188
300	127.2345	254.4690	508.9380	763.4070	1017.8760	1272.3450	3817.0351
400	226.1947	452.3893	904.7787	1357.1680	1809.5574	2261.9467	6785.8401
500	353.4292	706.8583	1413.7167	2120.5750	2827.4334	3534.2917	10608.7520
600	508.9380	1017.8760	2035.7520	3053.6281	4071.5041	5089.3801	15268.1403

Dimension

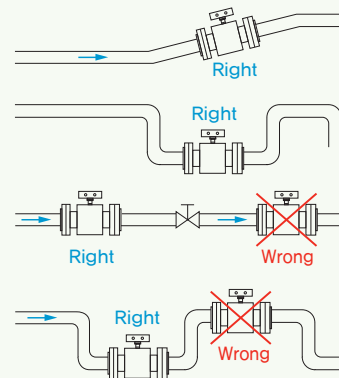


Nominal Diameter	External Dimension (mm)				
	L	phi D	H	phi A	N-phi h
15	200	95	290	65	4-phi 15
20	200	100	290	70	4-phi 15
25	200	125	298	75	4-phi 15
32	200	135	310	90	4-phi 19
40	200	140	325	100	4-phi 19
50	200	155	330	105	4-phi 19
65	200	175	350	120	4-phi 19
80	200	185	355	140	4-phi 19
100	250	210	380	150	8-phi 19
125	250	250	410	175	8-phi 19
150	300	280	371	210	8-phi 23
200	350	330	495	240	8-phi 23
250	450	400	565	290	12-phi 23
300	500	445	610	355	12-phi 25
350	550	490	660	400	16-phi 25
400	600	560	725	445	16-phi 25
450	600	620	780	510	16-phi 27
500	600	675	833	565	20-phi 27
600	600	795	945	620	20-phi 27

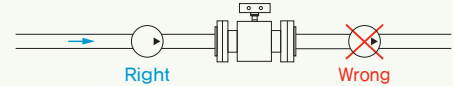
Installation



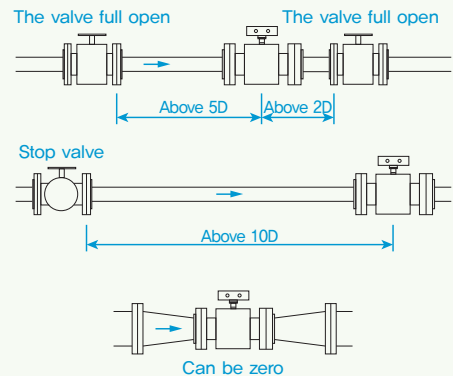
PIPE MUST BE FULL OF MEDIUM



AVOID AIR BLADDER



INSTALLATION BEHIND A PUMP



STRAIGHT PIPE REQUIREMENT

[주] 태흥엠엔시

경기도 안양시 동안구 시민대로 73 (호계동 899-5)
 Tel : 031-427-8005 Fax : 031-427-8020
 E-mail : info@taehung.co.kr Website : www.taehung.co.kr

대리점 :